

# TW3752



## High Gain Multi-Constellation Antenna

Frequency Coverage: GPS & QZSS L1 | GALILEO E1 | BEIDOU B1 | GLONASS G1

The TW3752 is a high-gain GPS + GLONASS + Galileo + BeiDou antenna specifically designed for timing applications in high density cell / telecommunications tower applications where high levels of near-out-of-band interfering signals can be expected.

The TW3752 covers the GPS-L1, GLONASS-G1, Galileo E1, BeiDou B1, and SBAS (WAAS, EGNOS & MSAS) frequency band and employs Calian's patented Accutenna® technology to provide excellent cross polarization rejection and greatly enhanced multipath rejection.

The TW3752 features triple SAW filters including a tight, low loss pre-filter to protect against saturation by high-level sub-harmonic and L-Band signals. This antenna also features a 50 dB LNA gain to handle the long cable runs sometimes associated with telecommunications towers.

The TW3752 housing has a permanent-mount, IP69K compliant metal base, and an extended temperature range plastic radome, and is specifically designed to withstand the most challenging environmental conditions.

Two options for pole mounting are available an L-bracket (P/N# 23-0040-0) or a pipe mount (P/N# 23-0065-0).



### Applications

- Timing systems
- Long cable runs

### Features

- Dual-feed Patch Antenna
- Low Loss SAW Pre-Filter
- Great axial ratio: 1 dB typ.
- Low noise LNA: < 2.5 dB typ.
- Triple High-rejection SAW filter
- High-gain LNA: 50 dB typ.
- Low current: 30 mA typ.
- Wide voltage input range: 2.7 to 26 VDC
- IP69K weatherproof housing

### Benefits

- Great out-of-band rejection
- Excellent multipath rejection
- Excellent circular polarisation
- Excellent signal-to-noise ratio
- Increased system accuracy
- Ideal for harsh environments
- CE RED, RoHS, and REACH compliant

**About Calian:** With global headquarters and manufacturing in Ottawa, Canada, Calian is a leading manufacturer of high-precision antennas and components for Global Navigation Satellite System (GNSS) applications. Calian's mission is to support the needs of a new generation of positioning systems by delivering unprecedented antenna precision at competitive prices. Learn more at [www.calian.com](http://www.calian.com)

Revision: 202407

Contact us:  
[info@tallysman.com](mailto:info@tallysman.com)  
T: +1 613 591-3131

# High Gain Multi-Constellation Antenna

Frequency Coverage: GPS & QZSS L1 | GALILEO E1 | BEIDOU B1 | GLONASS G1

Antenna - Measured with a 100 mm ground plane

Technology Dual-feed RHCP ceramic patch

		Gain	Axial Ratio
		dBic typ. at Zenith	dB at Zenith
<b>GNSS</b>			
GPS / QZSS	L1	4.5	≤ 1
	L2	-	-
	L5	-	-
GLONASS	G1	4.5	≤ 1
	G2	-	-
	G3	-	-
Galileo	E1	4.5	≤ 1
	E5A	-	-
	E5B	-	-
	E6	-	-
BeiDou	B1	4.5	≤ 1
	B2b	-	-
	B2a	-	-
	B3	-	-
IRNSS / NavIC	L5	-	-
QZSS	L6	-	-
L-Band Services (1539 MHz - 1559 MHz)		-	-
<b>Satellite Communications</b>			
Iridium		-	-
Globalstar		-	-
<b>Other</b>			
Axial Ratio at 10°	-	Efficiency	-
PCV Φ > 15°	-	PCO	-

## Mechanicals

Size	66.5 mm (dia.) x 21 mm (h.)
Weight	150 g
Radome	LEXAN™ EXL9330, Base: Zamac Metal
Mount	Though-hole
Available Connectors	Please refer to ordering guide

## Environmental

Operating Temperature	-40 °C to +85 °C
Storage Temperature	-55 °C to +95 °C
Vibration	MIL-STD-810-E - Test Method 514.5
Shock	MIL-STD-810-G - Test Method 516.6
Salt Fog	MIL-STD-810-F - Test Method 509.5
Other Tests	Hail, Humidity, Dust, Rain, Sand, Solar
IP Rating	IP69K
Compliance	IPC-A-610, FCC, CE RED, RoHS, REACH

## Warranty

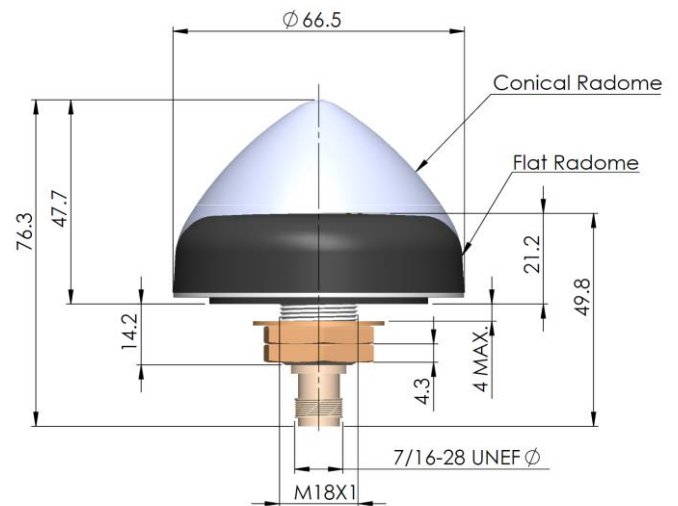
Parts and Labour	3-year standard warranty
------------------	--------------------------

Low Noise Amplifier (LNA) - Measured at 3V and 25°C

Frequency Bandwidth	Out of Band Rejection
Lower Band	-
L-Band Corr.	-
Upper Band	1559-1606 MHz
> 60 dB @ < 1525 MHz > 60 dB @ > 1650 MHz	

Architecture	Pre-filtered
Gain	50 dB min.
Noise Figure	-
VSWR	< 1.5:1 typ., 1.8:1 max.
Supply Voltage Range	2.7 to 26 VDC nominal
Supply Current	30 mA typ., 35 mA max.
ESD Circuit Protection	15 kV air discharge
P 1dB Output	-
Group Delay	-

Mechanical Diagram - Units in 'mm' or 'inches' where specified



## Ordering Information

Part Number **33-3752-xx-yy-zzzz**

Where xx = connector type, yy = shape and colour of radome and zzzz = cable length in mm (where applicable)

Please refer to our **Ordering Guide** to review available radomes and connectors at: <https://www.tallysman.com/resource/tallysman-ordering-guide/>